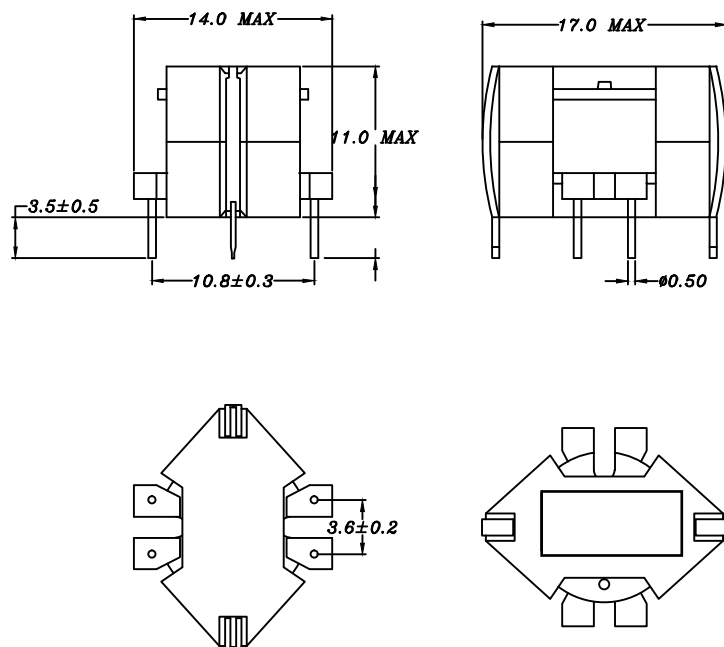


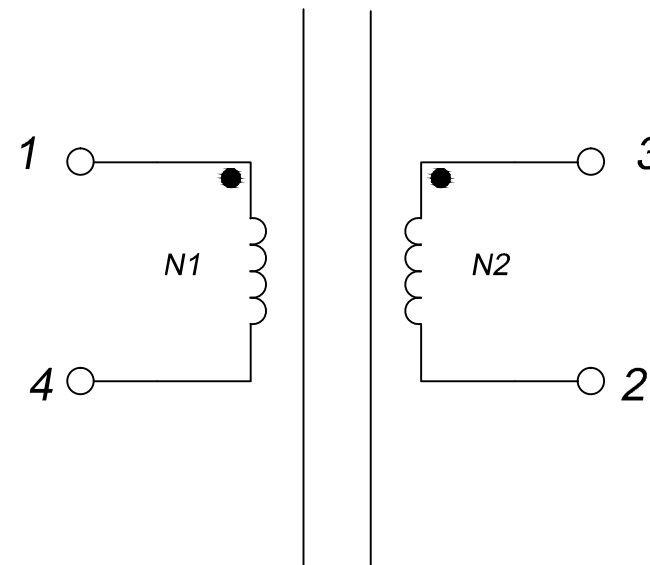
| | | |
|-------------------|------|-----------------|
| CUSTOMER TERMINAL | ROHS | Lead (Pb) -free |
| | YES | YES |



1. Mechanical Dimensions



2. Schematic Diagram



3. Material List

Core:FW40-RM5
 Bobbin: FWB0503
 Wire:2UEW
 Operating Temperature: -30 to 115°C

4. Electrical Specification

Inductance: $L(1-4) = 11.75\text{mH} \pm 5\%$ 1.0KHZ 0.1V
 DCR: $(1-4) < 9.8\Omega$, $(2-3) < 204\Omega$

| | | | | | |
|-------------|-------|--|------|---|----------------------------|
| REV. | DATE | Convention Placement | DRW. | Drawing Title: TRANSFORMER Customer P/N: | Part No: |
| 0 | 06/01 | | CHK. | | FWPTRM5V122J |
| RoHS | | www.ferriwo.com | APP. | | Specification Sheet 1 of 1 |